



925LL Excavator



Engine	Cummins
Gross Power	190 hp @ 2,200 rpm
Net Power	173 hp @ 2,200 rpm
Maximum Digging Depth	47 ft 10 in
Standard Bucket Capacity	0.65 yd
Operating Weight	59,525 lb

925LL Excavator



ENGINE

Emission Regulation	Tier 3 / Stage IIIA
Make	Cummins
Gross Power	190 hp @ 2,200 rpm
Net Power	173 hp @ 2,200 rpm
Peak Torque	506 lb ft @ 1,400 rpm
Number of Cylinders	6
Displacement	360 in ³

TRACK DRIVE

Maximum Travel Speed	3 mph
Gradeability	70 %
Drawbar Pull	43,838 lb

UNDERCARRIAGE

Shoe Width	800 mm
Number of Shoes per Side	51
Number of Bottom Rollers per Side	9
Number of Upper Rollers per Side	2

HYDRAULIC SYSTEM

Main Pumps Total Flow	122 gal/min
Relief Pressure, main	4,974 psi
Pilot Pump Flow	5 gal/min

REFERENCE ARM AND BOOM

Arm Length	26 ft 3 in
Boom Length	33 ft 11 in

WORKING RANGES

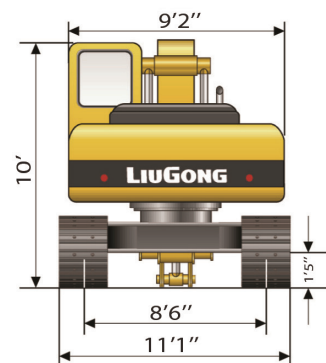
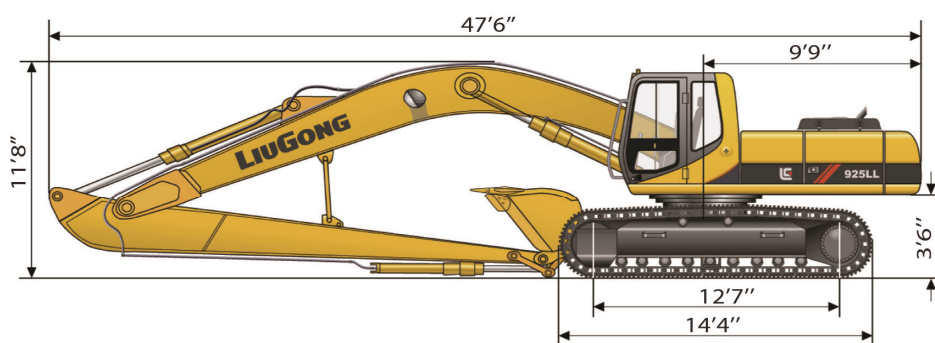
Maximum Dig Depth	47 ft 10 in
Reach at Ground Level	59 ft 10 in
Maximum Dig Height	46 ft
Maximum Dump Height	39 ft 6 in
Maximum Dig Reach	60 ft 2 in

BUCKET PERFORMANCE

Standard Bucket Heaped Capacity (Referenced)	0.65 yd
--	---------

SERVICE CAPACITIES

Fuel Tank	118 gal
Engine Oil	6 gal
Cooling System	8 gal
Hydraulic Reservoir	60 gal
Hydraulic System Total	87 gal



Unit: inch

Guangxi Liugong Machinery Co., Ltd.

No. 1 Liutai Road, Liuzhou, Guangxi 545007, PR China

T: +86 772 388 6124 E: overseas@liugong.com

www.liugong.com

10/2013 Designed by LiuGong

Specifications and designs are subject to change without notice. Machines shown may include optional equipment.