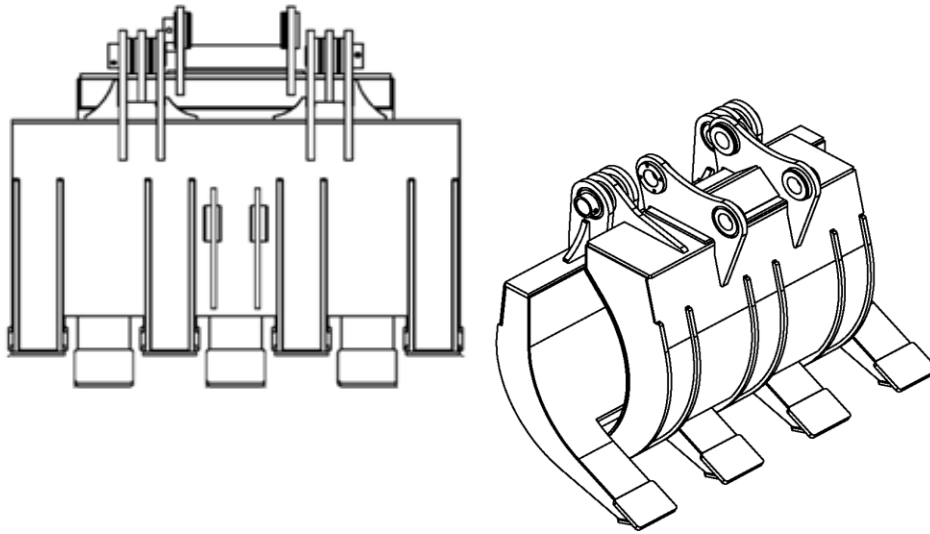


## SPECIALTY EXCAVATOR GRAPPLE HYDRAULIC & STIFF ARM



- GRAPPLES AVAILABLE IN HYDRAULIC OR STIFF ARM
- GRAPPLES AVAILABLE IN 2 X 3 OR 3 X 4
- AVAILABLE IN PIN-ON OR COUPLER EQUIPPED CONFIGURATION
- AVAILABLE FOR 4,000 - 100,000 LB MACHINE CLASSES