



ROTOBEC

TOUGH HANDLING EQUIPMENT

Clamshell Buckets

Rotobec Clamshell Buckets are ideal for material handling with material weight up to 3000 lb per cubic yard with standard duty and 4500 lb per cubic yard with heavy duty models. Extra closing power with minimal stress to the structure has been developed by using an innovative 4 cylinder design.

Features:

- ✦ Available in Light duty and XHD models for special applications.
- ✦ Full Environmental Level-cut models are also available.
- ✦ 5000 psi high pressure cylinders with synchro links.
- ✦ Optional bolt-on cutting edges on standard duty clamshell buckets.
- ✦ Integrated mechanical stops for pin and cylinder protection.



Rotation Specifications

Rotator Model	Swing Torque (in lb)	Axial Lift Capacity (lb)	Weight (lb)	Machine Size (lb)
RT-502/504*	18630	50000	445	45,000 to 75,000
RT-1002/1004*	22360	100000	685	75,000 to 110,000



Technical Data

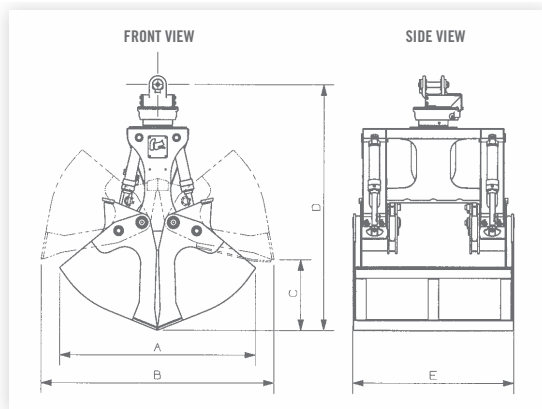
Clamshell Buckets

Standard Duty (3000 lb / cubic yard maximum)

Model		CSB150	CSB200	CSB250	CSB300	CSB350	CSB400	CSB450	CSB500	CSB600
Capacity (SAE rated heaped)	yd ³	1.5	2	2 1/2	3	3 1/2	4	4 1/2	5	6
Deck Area	ft ²	33 3/4	38 1/4	42 5/8	50 3/8	54 3/8	58	62 7/8	65 5/8	73
A (in)		66 3/4	74 1/2	82 3/8	81 1/4	86 3/4	92	95 3/8	99	108 1/2
B (in)		78 3/8	88 7/8	98 7/8	96 3/8	103 7/8	111	112	116 3/4	129 7/8
C (in)		22 1/4	26 1/2	30 7/8	29 3/4	32 3/4	34 7/8	35	36 1/4	42 1/4
D with Rotator:	RT-504 in.	87 3/4	92 3/4	97 7/8	99 3/4	103 1/2	106 1/2	N/A	N/A	N/A
	RT-1004 in.	90 7/8	96	100 3/4	102 5/8	106 1/2	110	113 1/8	116	122 1/4
E (in)		62	62	62	75 3/8	75 3/8	75 3/8	81	81	81
Weight w/ RT-504 (lb)		4000	4187	4379	5547	5729	5919	N/A	N/A	N/A
Weight w/ RT-1004 (lb)		4125	4420	4664	5832	6014	6204	7396	7556	7917
Weight bolt-on cutting edges options (lb)		250	250	250	300	300	300	450	450	450

Heavy Duty (4500 lb / cubic yard maximum)

Model		CSB150HD	CSB200HD	CSB250HD	CSB300HD	CSB350HD	CSB400HD	CSB450HD	CSB500HD	CSB600HD
Capacity (SAE rated heaped)	yd ³	1.5	2	2 1/2	3	3 1/2	4	4 1/2	5	6
Deck Area	ft ²	32 7/8	37 1/4	41 3/4	49 1/2	54 1/8	57 7/8	63 1/2	67	73 3/4
A (in)		66 1/2	74	81 1/2	82 1/4	88 1/2	93 3/4	95 3/4	100 3/8	109 5/8
B (in)		76 3/8	86 3/4	97	94 1/2	103 3/8	110 1/2	112 7/8	119 1/8	131 1/4
C (in)		21 1/8	25 1/4	29 1/2	27 3/4	31 3/8	34 1/4	34	36 1/2	41 3/8
D with Rotator:	RT-504 in.	89 1/8	94 7/8	100	N/A	N/A	N/A	N/A	N/A	N/A
	RT-1004 in.	92	98 1/8	102 7/8	104 1/4	108 3/4	112 3/8	115 3/4	118 7/8	125
E (in)		62	62	62	75 3/8	75 3/8	75 3/8	81	81	81
Weight w/ RT-504 lb.		4950	5099	5376	N/A	N/A	N/A	N/A	N/A	N/A
Weight w/ RT-1004 lb.		5190	5384	5661	6712	6966	7172	8751	8979	9434



Contact Us