



COMPACT
FLEXIBLE
POWERFUL

Tracked Impact Crusher R700S

The "INNER-CITY" crusher for highest requirements

The highlights:

- Unique double-functional return belt system to increase flexibility
- With 2 hydraulically adjustable swing beams, as well as the variation of the rotor speed, the final grain can be optimally influenced
- Extremely compact and powerful



Basic equipment:

- Feed hopper (Hardox) - 3,2 m³ / 4.2 yd³
- Vibration feeder with pre-screen
- Adjustable bypass chute (main/side conveyor)
- Magnetic separator
- Crusher overload protection
- Sound-insulated engine housing
- Dust suppression
- Radio remote control
- Electronic control with color display



Technical details:

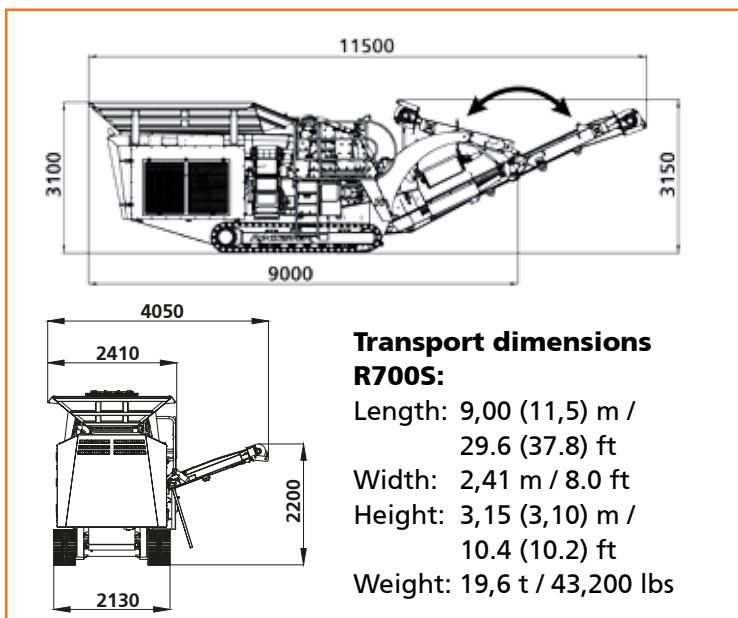
Inlet opening:	710 x 650 mm / 28 x 26 in
Rotor diameter:	930 mm / 37 in
Rotor:	4 hammers
Crusher drive:	hydrostatic
Swing beams:	2 (individually adjustable)
Gap adjustment:	hydraulic
Performance:	up to 150 t/h / 170 st/h
Drive unit:	TIER3a/TIER4f engine

Main discharge conveyor, width: 800 mm / 32 in
Hydraulically foldable

Discharge height: ~ 3,0 m / 9.9 ft

Side discharge conveyor, width: 400 mm / 16 in
Hydraulically foldable

Discharge height: ~ 2,2 m / 7.3 ft





Option screening system:

Screenbox RS73 + double-functional return belt RB65

The screening system - consisting of the compact circular vibrating screen RS73 in combination with the **patent protected** double-functional return/stockpile belt RB65 - is the perfect option to ensure 100% defined final grain.



RS73 Screenbox:

Screen surface: 1830 x 1000 mm
/ 6.0 x 3.3 ft
Standard mesh: 38 mm / 1.5 in
Special screen sizes on demand.

RB65 Return belt:

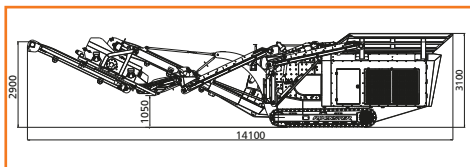
Width: 400 mm / 16 in

Discharge conveyor final grain:

Width: 800 mm / 32 in
Discharge height: ~ 2,9 m / 9.5 ft

RB65 Stockpile belt:

Width: 400 mm / 16 in
Discharge height: ~ 3,4 m / 11.2 ft



Transport dimensions R700S + RS73 + RB65:

Length: 14,10 m / 46.3 ft Height: 3,10 m / 10.2 ft
Width: 2,52 m / 8.3 ft Weight: 22,5 t / 49,600 lbs

Further options:

- Onboard air compressor
- Central lubrication system
- Main belt wear protection
- Water pump
- Hammer exchange device
- Wind Sifter RVB1700
- Belt weigh scale
- Main conveyor service device



Print and punctuation errors excepted. Content is subject to change without notice. Patented Duplex System.

XXVIII



KORMANN ROCKSTER RECYCLER GMBH
Wirtschaftszeile West 2 / 4482 Ennsdorf / AUSTRIA
Tel.: +43 7223 81000 / office@rockster.at / www.rockster.at