

NOTES:

1. MAXIMUM ATTACHMENT SIZE = 6.0T (INCLUDING ATTACHMENT HEAD AND/OR HITCH)
2. ACHIEVE MAXIMUM OUTREACH ONLY WITH BOOM AND DIPPER IN CONFIGURATION SHOWN,
3. BASE MACHINE SHOWN FOR REFERENCE ONLY, OPTIONS FITTED MAY NOT BE AS ILLUSTRATED.

2	04/10/19	4632	AJF
1	01/04/19	-	BJP
ISS	DATE	MOD	DRN.
NOT BINDING IN DETAIL			

**KOCUREK**  
 24 Arkwright Road  
 Hadleigh Road Industrial Estate  
 Ipswich IP2 0UB ENGLAND  
 Tel. +44 (0)1473 217477

**CONFIDENTIAL**  
 This drawing embodies confidential information, the property of KOCUREK EXCAVATORS Ltd., to whom the copyright belongs. This drawing may not be copied or used for any purpose other than that for which it was made available except with the prior written consent of KOCUREK EXCAVATORS Ltd., & provision of this drawing does not grant any rights under any industrial property rights of KOCUREK EXCAVATORS Ltd., nor of any third party.

TITLE	DATASHEET - RANGE 2 PC TELEDEMO (20m WITH M/J) KOBELCO SK500LC-9
DRG. NO.	21071237
	SHT 1 OF 2

**LIFTING CAPACITIES**

DOC No: 21071237

ISS: 1 - 03/10/19

MACHINE : KOBELCO SK500LC-9

EQUIPMENT : 65' 2 PC DEMO

**WARNING** : DO NOT OPERATE MACHINE OVER SIDE. OPERATE OVER FRONT ONLY WITH DRIVES TO THE REAR OF THE MACHINE.

LIFT CAPACITIES CALCULATED AT ATTACHMENT PIVOT POINT ON STICK (lbs)  
NO ATTACHMENT ON STICK. ATTACHMENT WEIGHT MUST BE SUBTRACTED.

REACH						HEIGHT
40ft	33ft 3in	30ft	25ft	20ft	15ft	
						70ft
				22,752*		65ft
		18,602*	22,267*	21,822*		60ft
	16,680*	18,247*	22,629*	20,850*		55ft
	16,519*	18,091*	23,121*			50ft
	17,892*	19,285*	22,437*			45ft
	17,624*	19,035*	22,232*			40ft
	17,608*	19,079*	22,413*	27,751*		35ft
	17,767*	19,333*	22,892*	28,769*		30ft
	18,024*	19,715*	23,635*	29,396*		25ft
	18,347*	20,180*	24,512*	31,085*		20ft
	18,529*	20,514*	25,231*	32,493*		15ft
	18,517*	20,601*	25,505*	32,700*		10ft
	18,165*	20,212*	24,845*	22,922*		5ft
						0ft

**THE FOLLOWING NOTES PERTAIN TO THIS MACHINE EQUIPPED WITH 8,400# ADDITIONAL COUNTERWEIGHT.**

- DO NOT ATTEMPT TO LIFT OR HOLD ANY LOAD THAT EXCEEDS THESE RATED VALUES.
- WHEN WORKING, THE BOOM MUST BE IN THE FULLY UPRIGHT POSITION. MAXIMUM FORWARD TILT OF THE BOOM IS 10°.
- MACHINE MUST NEVER BE OPERATED OVER THE SIDE.
- THE OPERATOR SHOULD BE FULLY ACQUAINTED WITH MACHINE OPERATION BEFORE OPERATING THE MACHINE.
- LIFTING CAPACITIES ASSUME MACHINE STANDING ON LEVEL, FIRM AND UNIFORM SUPPORTING SURFACE. OPERATOR MUST MAKE ALLOWANCE FOR JOB CONDITIONS SUCH AS SOFT UNEVEN GROUND, OUT OF LEVEL CONDITIONS, SIDE LOADS, SUDDEN STOPPING OF LOADS, HAZARDOUS CONDITIONS, INEXPERIENCED PERSONNEL, AND ECT.
- THE ABOVE THEORETICAL RATINGS ARE BASED ON CALCULATIONS DERIVED FROM STANDARD O.E.M LIFT CHARTS BASED ON SAE STANDARD No J1097. THEY DO NOT EXCEED 87% HYDRAULIC LIFTING CAPACITY OR 75% OF TIPPING CAPACITY. RATED LOADS MARKED WITH A (\*) ARE LIMITED HYDRAULICALLY.
- WHEN TRAVELING THE MACHINE IN EITHER FORWARD OR REVERSE DIRECTIONS TO THE JOB SITE (MORE THEN 20ft), WITH THE BOOM STRAIGHT OVER THE FRONT OR REAR OF THE MACHINE, THE BOOM SHOULD BE POSITIONED SUCH THAT THE TIP OF THE TOOL IS APPROX 5ft ABOVE THE GROUND, WITH OUTER ARM AND TOOL PERPENDICULAR TO THE GROUND. TRAVEL CONTROL SHOULD BE SET TO LOW SPEED AND ENGINE RPM AT MID RANGE, AT THE JOB SITE, WITH THE BOOM IN WORKING POSITION (DRIVE SPROCKETS TO THE REAR, BOOM OVER THE FRONT) THE MACHINE MAY BE MOVED UP TO 20ft FORWARD OR REVERSE, TRAVEL AT LOW SPEED SETTING, ENGINE RPM IN MID RANGE, IN ORDER TO MOVE INTO THE WORKING POSITION, PROVIDED THE GROUND IS FIRM AND LEVEL.
- WHEN SWINGING THE MACHINE 360°, THE BOOM SHOULD BE IN THE FULLY UPRIGHT POSITION, WITH THE OUTER ARM AND TOOL PERPENDICULAR TO THE GROUND.
- WHEN SHUTTING DOWN THE MACHINE FOR A PERIOD OF TIME, THE BOOM SHOULD BE LOWERED TO REST THE OUTER ARM ON THE GROUND, WITH THE OUTER ARM AND TOOL POSITIONED PARALLEL TO THE GROUND.
- DO NOT BOOM DOWN WITH TOOL ON THE GROUND AND FRONT FULLY RETRACTED, DOING SO MAY CAUSE DAMAGE TO THE MACHINE.

# CALCULATED APPROXIMATE WEIGHT

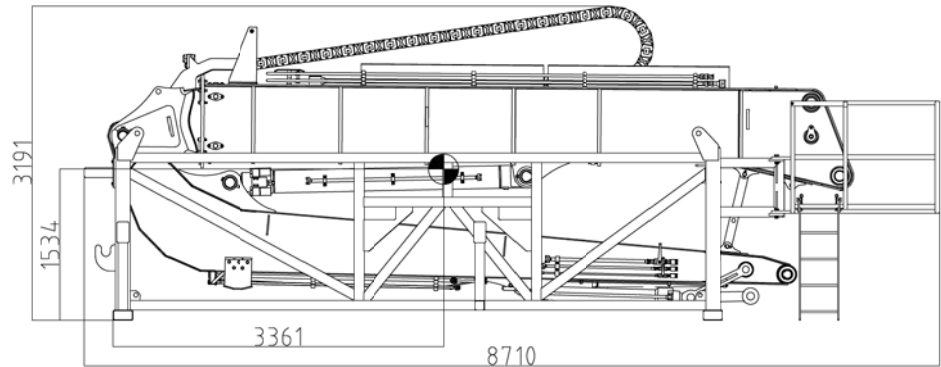
(TELERIG IN CRADLE EXCLUDING CHAINS & LOAD BINDERS) = 9605 kgs

CRADLE WEIGHT = 1715 kgs

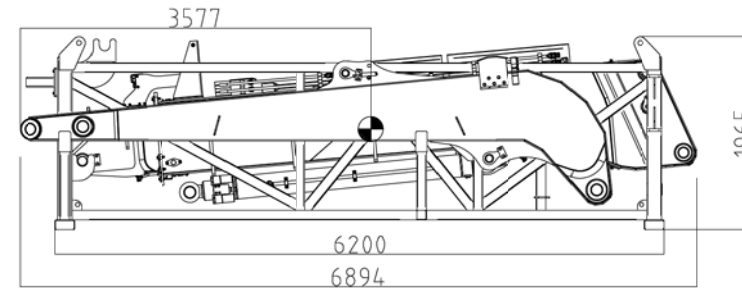
DEMO ASSY = 7890 kgs

## NOTES:

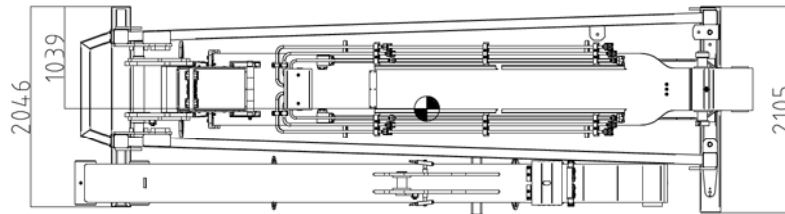
1. DRAWING REFERENCES - 2 PIECE TELE DEMO RIG (20m WITH MJ) - INCORPORATING:  
- 7m to 10m TELE SECTION  
- 6.9m DIPPER.
2. POSITION OF CENTRE OF GRAVITY IS APPROXIMATE.
3. ALL WEIGHTS EXCLUDING ATTACHMENTS / ATTACHMENT HEAD / QUICK HITCH.
4. CAUTION - WHEN EQUIPMENT IS IN CRADLE IT IS POSSIBLE FOR DIPPER CYLINDER TO LOSE PRESSURE AND DIPPER TO DROP, TO PREVENT THIS USE THE TRANSPORT LINK BAR.



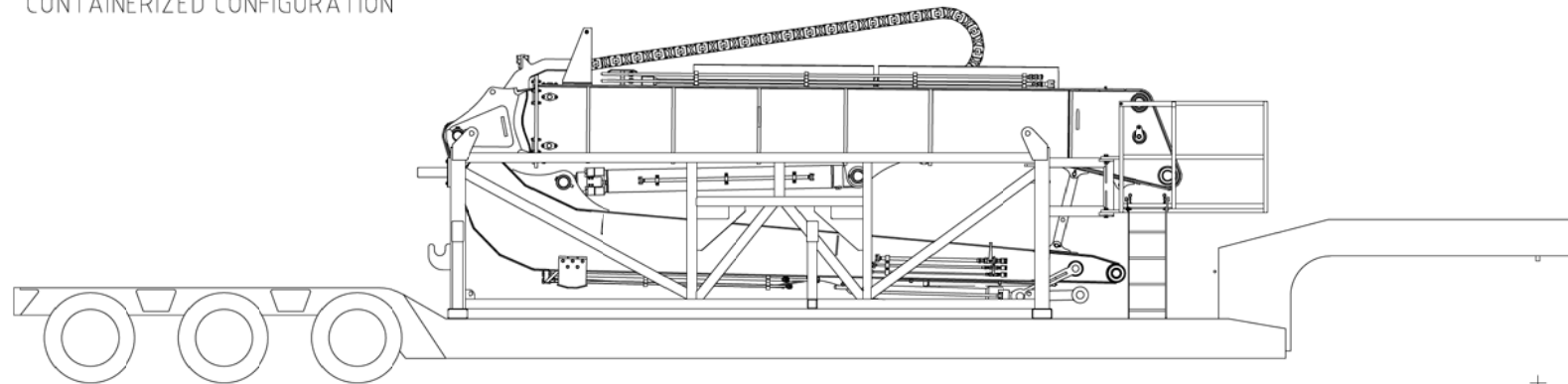
TRANSPORT DIMENSIONS  
NON CONTAINERIZED CONFIGURATION



TRANSPORT DIMENSIONS  
CONTAINERIZED CONFIGURATION



TRANSPORT DIMENSIONS  
CONTAINERIZED CONFIGURATION



+

1	02/04/19	-	BJP
ISS	DATE	MOD	DRN.
NOT BINDING IN DETAIL			

**KOCUREK**  
24 Arkwright Road  
Hadleigh Road Industrial Estate  
Ipswich IP2 0UB ENGLAND  
Tel. +44 (0)1473 217477

CONFIDENTIAL

This drawing embodies confidential information, the property of KOCUREK EXCAVATORS Ltd., to whom the copyright belongs. This drawing may not be copied or used for any purpose other than that for which it was made available except with the prior written consent of KOCUREK EXCAVATORS Ltd., & provision of this drawing does not grant any rights under any industrial property rights of KOCUREK EXCAVATORS Ltd., nor of any third party.

TITLE DATASHEET - TRANSPORT  
2 PC DEMO (WITH MJ)  
KOBELCO SK500LC-9

DRG. NO. 21071238

SHT 1  
OF 1