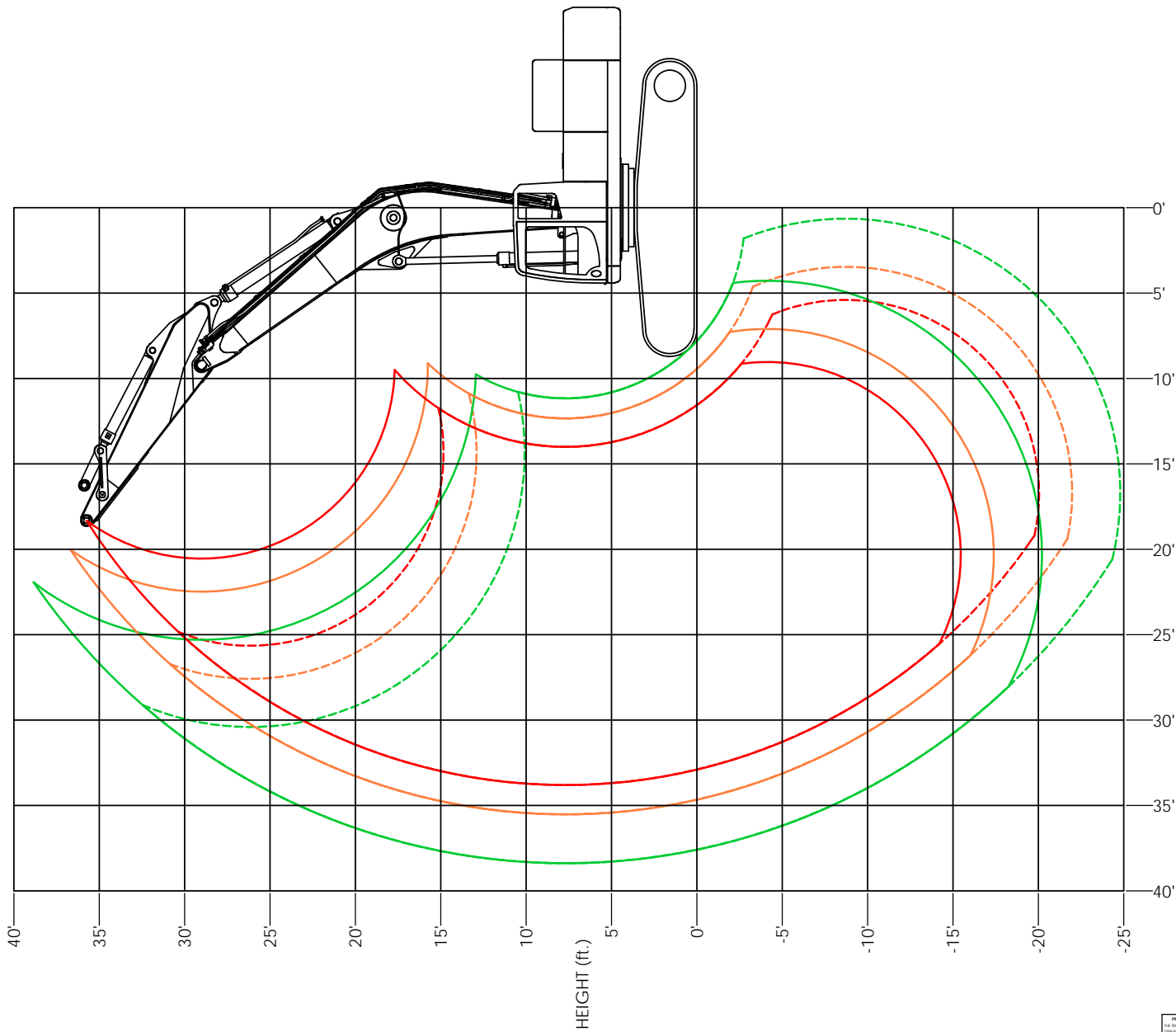


REVISIONS				
ZONE	REV.	DESCRIPTION	DATE	APPROVED



- 11'-4" STICK, HOIST CYLINDERS ON UPPER PIVOT
- 11'-4" STICK, HOIST CYLINDERS ON LOWER PIVOT
- 13'-3" STICK, HOIST CYLINDERS ON UPPER PIVOT
- 13'-3" STICK, HOIST CYLINDERS ON LOWER PIVOT
- 16'-1" STICK, HOIST CYLINDERS ON UPPER PIVOT
- 16'-1" STICK, HOIST CYLINDERS ON LOWER PIVOT

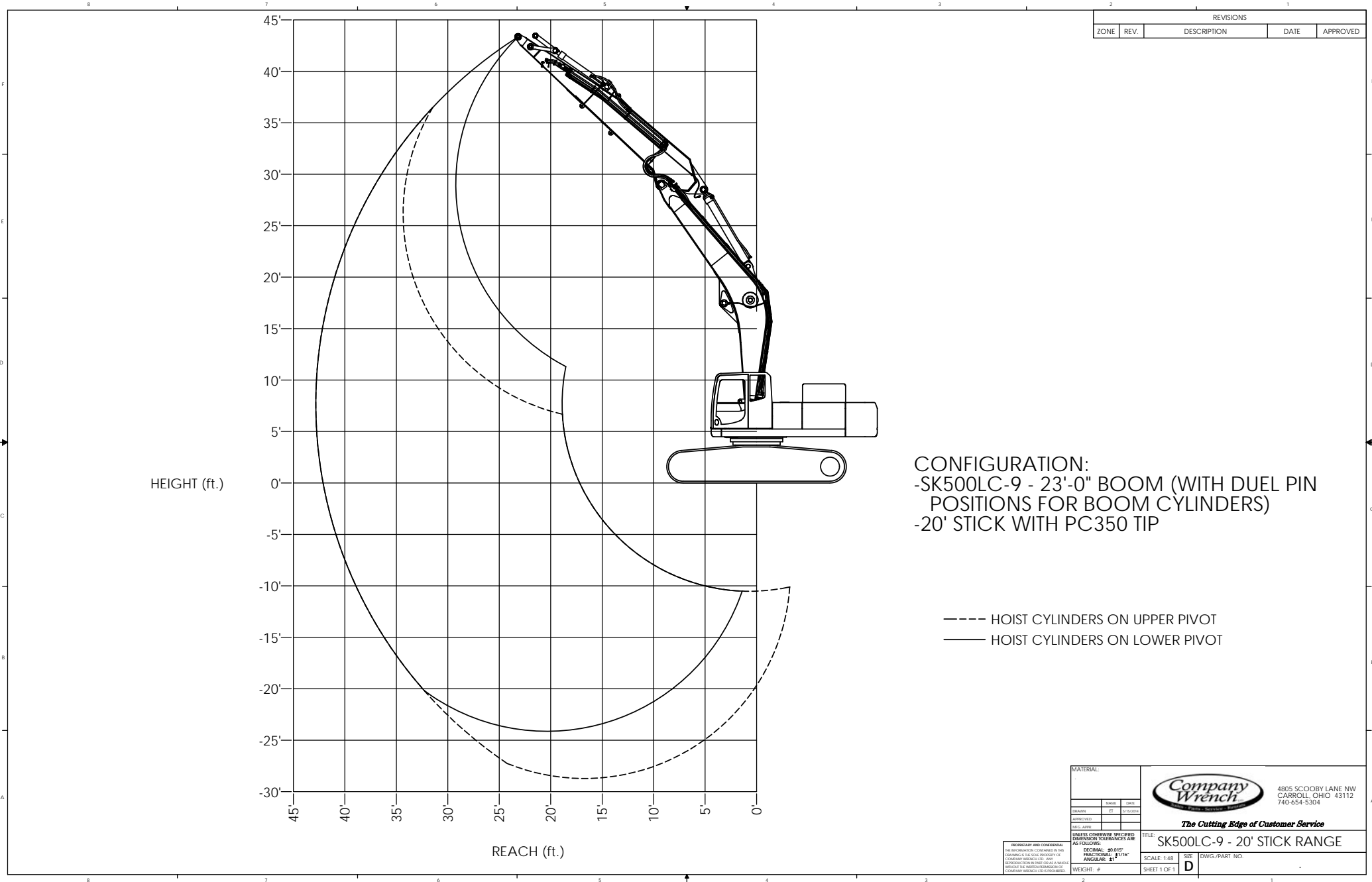
MATERIAL:		

**Company Wrench**  
 4805 SCOOPY LANE NW  
 CARROLL, OHIO 43112  
 740-654-5304

*The Cutting Edge of Customer Service*

PROPRIETARY AND CONFIDENTIAL  
 THE INFORMATION CONTAINED HEREIN  
 IS THE SOLE PROPERTY OF  
 COMPANY WRENCH. ANY  
 REPRODUCTION OR USE OF THIS  
 INFORMATION WITHOUT THE WRITTEN PERMISSION OF  
 COMPANY WRENCH IS PROHIBITED.


TITLE: SK500LC-9 DUEL PIN RANGE  
 SCALE: 1:36  
 SHEET 1 OF 1  
 SIZE: D  
 DWG./PART NO.: OM14527-1



REVISIONS				
ZONE	REV.	DESCRIPTION	DATE	APPROVED

**CONFIGURATION:**  
 -SK500LC-9 - 23'-0" BOOM (WITH DUEL PIN POSITIONS FOR BOOM CYLINDERS)  
 -20' STICK WITH PC350 TIP

----- HOIST CYLINDERS ON UPPER PIVOT  
 \_\_\_\_\_ HOIST CYLINDERS ON LOWER PIVOT

MATERIAL:			 <p>4805 SCOOPY LANE NW CARROLL, OHIO 43112 740-654-5304</p> <p><i>The Cutting Edge of Customer Service</i></p>
DESIGN	SCALE	DATE	
APPROVED			
REV. #			
<small>PROPRIETARY AND CONFIDENTIAL          THE INFORMATION CONTAINED HEREIN IS THE SOLE PROPERTY OF COMPANY WRENCH. ANY REPRODUCTION OR DISSEMINATION OF THIS INFORMATION WITHOUT THE WRITTEN PERMISSION OF COMPANY WRENCH IS PROHIBITED.</small>			<small>UNLESS OTHERWISE SPECIFIED DIMENSIONS FOR FINISHES ARE AS FOLLOWS:</small> DECIMAL: .0001" FRACTIONAL: 1/16" ANGLE: .1° WEIGHT: #
TITLE: SK500LC-9 - 20' STICK RANGE			SCALE: 1:48 SIZE: <b>D</b> SHEET 1 OF 1

# Lifting Capacities

P/N: 0M14527-3



SK500LC-9  
DUAL PIN BOOM  
20' ARM W/ PC350 TIP

Lift capacities calculated at attachment pivot point on stick (lbs).  
No attachment on stick. Attachment weight must be subtracted.

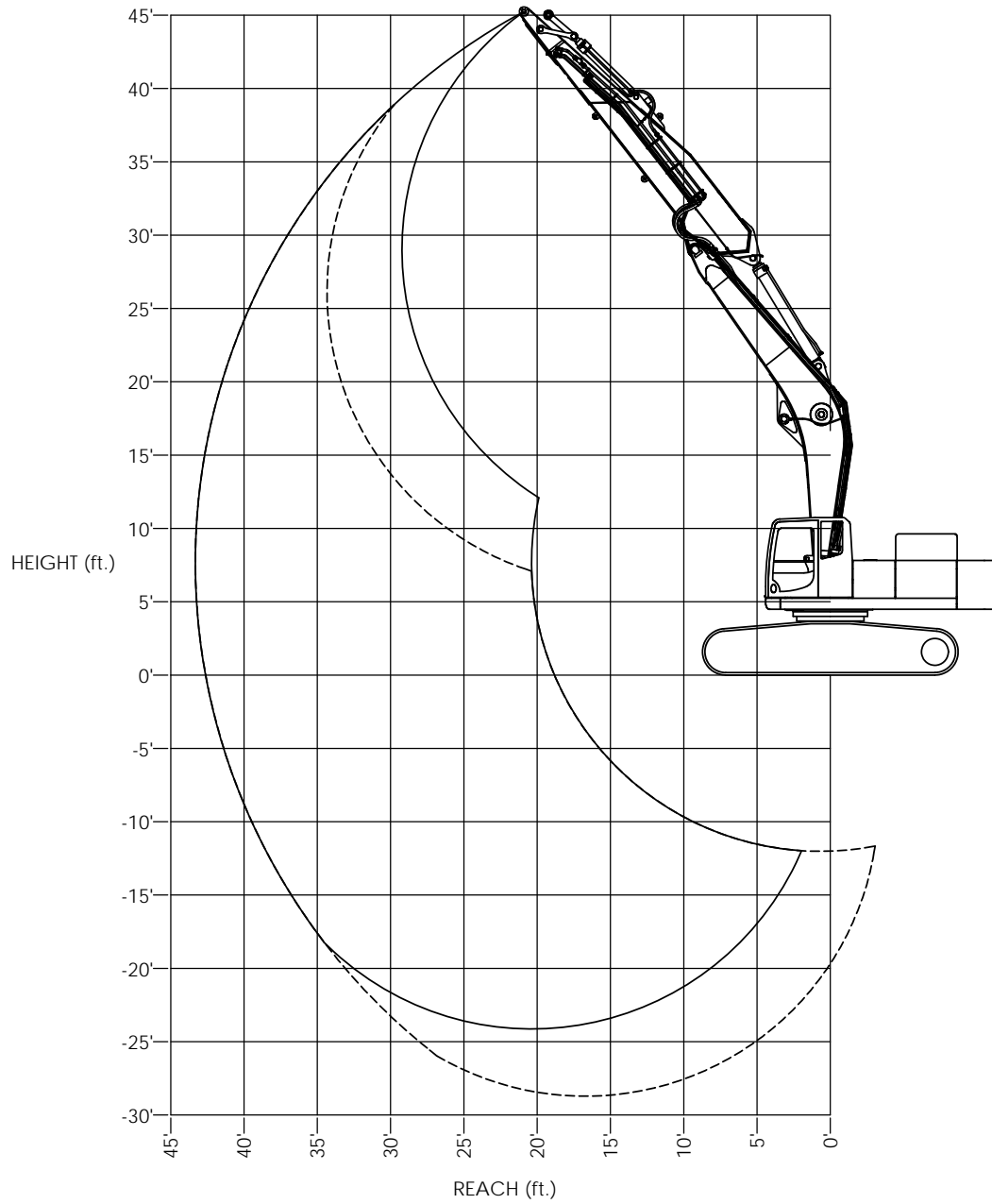
HOIST CYLINDERS ON LOWER PIVOT														
REACH														
40'		35'		30'		25'		20'		15'		10'		
Side	Front	Side	Front	Side	Front	Side	Front	Side	Front	Side	Front	Side	Front	
														45'
														40'
				19,231	* 19,242									35'
		14,774	* 17,612	* 18,298	* 18,298									30'
		14,833	* 18,341	* 17,500	* 17,500									25'
11,496	* 16,512	14,628	* 18,733	* 17,562	* 17,562									20'
11,350	* 18,223	14,267	* 19,777	18,289	* 18,889	* 16,850	* 16,850							15'
11,109	18,683	13,818	* 21,670	17,558	* 22,044	* 21,512	* 21,512	* 20,342	* 20,342					10'
10,843	18,395	13,347	22,503	16,801	* 25,719	21,867	* 30,197	30,035	* 37,349					5'
10,612	18,146	12,923	22,037	16,121	* 27,032	20,789	* 32,482	28,259	* 41,151					0'
10,486	18,010	12,605	21,689	15,601	27,034	19,994	* 33,619	27,064	* 42,886	40,585	* 45,720			-5'
		12,453	21,522	15,293	26,689	19,525	* 33,238	26,430	* 42,325	39,854	* 53,096	* 27,619	* 27,619	-10'
		12,567	* 18,411	15,240	* 24,590	19,388	* 30,905	26,272	* 39,263	39,819	* 51,784	* 39,557	* 39,557	-15'
				15,547	* 18,924	19,612	* 25,750	26,551	* 33,090	40,347	* 42,823	* 56,667	* 56,667	-20'
														-25'

HOIST CYLINDERS ON UPPER PIVOT														
REACH														
40'		35'		30'		25'		20'		15'		10'		
Side	Front	Side	Front	Side	Front	Side	Front	Side	Front	Side	Front	Side	Front	
														45'
														40'
														35'
		14,774	* 15,957											30'
		14,833	* 15,429											25'
11,496	* 16,512	14,628	* 15,870											20'
11,350	* 17,022	14,267	* 16,904											15'
11,109	* 17,758	13,818	* 18,311	17,558	* 19,363									10'
10,843	18,395	13,347	* 19,877	16,801	* 21,819	21,867	* 24,924	30,035	* 30,269					5'
10,612	18,146	12,923	* 21,369	16,121	* 24,140	20,789	* 28,488	28,259	* 35,900					0'
10,486	18,010	12,605	21,689	15,601	* 26,012	19,994	* 31,270	27,064	* 39,929	40,585	* 45,720			-5'
		12,453	21,522	15,293	26,689	19,525	* 32,955	26,430	* 42,125	39,854	* 53,096	* 27,619	* 27,619	-10'
		12,567	21,647	15,240	26,630	19,388	* 33,239	26,272	* 42,376	39,819	* 57,510	* 39,557	* 39,557	-15'
				15,547	* 24,804	19,612	* 31,512	26,551	* 40,280	40,347	* 53,938	* 56,667	* 56,667	-20'
						20,383	* 25,706	27,349	* 34,494	41,491	* 46,095	* 66,167	* 66,167	-25'

The following notes pertain to this machine equipped with 35.5" wide track pads:

1. Do not attempt to lift or hold any load that exceeds these rated values at their specified load radii and heights.
2. The least stable position is over the side.
3. The operator should be fully acquainted with machine operation before operating the machine.
4. Lifting capacities assume a machine standing on level, firm and uniform supporting surface. Operator must make allowance for job conditions such as soft or uneven ground, out of level conditions, side loads, sudden stopping of loads, hazardous conditions, inexperienced personnel, etc.
5. The above theoretical ratings are based on calculations derived from standard O.E.M. lift charts. They do not exceed 87% of hydraulic lifting capacity or 75% of tipping capacity. Rated loads marked with an asterisk (\*) are limited by hydraulic lifting capacity.

REVISIONS				
ZONE	REV.	DESCRIPTION	DATE	APPROVED



CONFIGURATION:  
 -SK500LC-9 - 23'-0" BOOM (WITH DUEL PIN  
 POSITIONS FOR BOOM CYLINDERS)  
 -20' STICK WITH SK350 TIP

----- HOIST CYLINDERS ON UPPER PIVOT  
 \_\_\_\_\_ HOIST CYLINDERS ON LOWER PIVOT

MATERIAL:		



4805 SCOOPY LANE NW  
 CARROLL, OHIO 43112  
 740-654-5304

*The Cutting Edge of Customer Service*

<small>PROPRIETARY AND CONFIDENTIAL          THE INFORMATION CONTAINED HEREIN          IS THE SOLE PROPERTY OF          COMPANY WRENCH. ANY          REPRODUCTION OR          DISSEMINATION OF THIS          INFORMATION WITHOUT THE WRITTEN PERMISSION OF          COMPANY WRENCH IS PROHIBITED.</small>	<small>UNLESS OTHERWISE SPECIFIED          DIMENSIONS TO DIMENSIONS ARE          AS FOLLOWS:</small>	TITLE:
	<small>DECIMAL: .0001"          FRACTIONAL: 1/16"          ANGLE: .1°</small>	SK500LC-9 - 20' STICK RANGE
<small>WEIGHT: #</small>	<small>SCALE: 1:48</small>	<small>SIZE: D</small>
<small>SHEET 1 OF 1</small>	<small>DWG./PART NO.</small>	

# Lifting Capacities

P/N: 0M14527-5



SK500LC-9  
DUAL PIN BOOM  
20' ARM W/ SK350 TIP

Lift capacities calculated at attachment pivot point on stick (lbs).  
No attachment on stick. Attachment weight must be subtracted.

HOIST CYLINDERS ON LOWER PIVOT														
REACH														
40'		35'		30'		25'		20'		15'		10'		
Side	Front	Side	Front	Side	Front	Side	Front	Side	Front	Side	Front	Side	Front	
														45'
														40'
				* 18,967	* 18,967									35'
		14,494	* 17,740	* 17,168	* 17,168									30'
		14,544	* 17,538	* 15,953	* 15,953									25'
11,197	* 16,768	14,328	* 17,488	* 15,684	* 15,684									20'
11,042	* 17,885	13,954	* 18,225	* 16,654	* 16,654	* 14,083	* 14,083							15'
10,791	18,370	13,491	* 19,981	17,220	* 19,357	* 17,895	* 17,895							10'
10,517	18,074	13,008	22,167	16,445	* 24,531	21,487	* 27,422							5'
10,282	17,819	12,573	21,690	15,750	* 26,602	20,388	* 32,021	27,807	* 40,644					0'
10,154	17,681	12,250	21,335	15,220	26,652	19,578	* 33,144	26,592	* 42,361					-5'
		12,096	21,166	14,907	26,302	19,102	* 32,757	25,950	* 41,793	39,269	* 44,803	* 22,032	* 22,032	-10'
		12,217	* 18,001	14,857	* 24,146	18,966	* 30,424	25,793	* 38,732	39,238	* 51,176	* 33,887	* 33,887	-15'
				15,174	* 18,491	19,198	* 25,278	26,081	* 32,567	39,780	* 42,226	* 50,878	* 50,878	-20'
														-25'

HOIST CYLINDERS ON UPPER PIVOT														
REACH														
40'		35'		30'		25'		20'		15'		10'		
Side	Front	Side	Front	Side	Front	Side	Front	Side	Front	Side	Front	Side	Front	
														45'
														40'
														35'
		14,494	* 15,621											30'
		14,544	* 15,083											25'
11,197	* 16,356	14,328	* 15,513											20'
11,042	* 16,657	13,954	* 16,532											15'
10,791	* 17,384	13,491	* 17,926	17,220	* 18,966									10'
10,517	18,074	13,008	* 19,479	16,445	* 21,404	21,487	* 24,485							5'
10,282	17,819	12,573	* 20,961	15,750	* 23,710	20,388	* 28,028	27,807	* 35,394					0'
10,154	17,681	12,250	21,335	15,220	* 25,571	19,578	* 30,796	26,592	* 39,404					-5'
		12,096	21,166	14,907	26,302	19,102	* 32,474	25,950	* 41,593	39,269	* 44,803	* 22,032	* 22,032	-10'
		12,217	21,299	14,857	26,245	18,966	* 32,758	25,793	* 41,845	39,238	* 56,902	* 33,887	* 33,887	-15'
				15,174	* 24,371	19,198	* 31,039	26,081	* 39,758	39,780	* 53,341	* 50,878	* 50,878	-20'
						19,990	* 25,254	26,899	* 33,989	40,949	* 45,519	* 65,461	* 65,461	-25'

The following notes pertain to this machine equipped with 35.5" wide track pads:

- Do not attempt to lift or hold any load that exceeds these rated values at their specified load radii and heights.
- The least stable position is over the side.
- The operator should be fully acquainted with machine operation before operating the machine.
- Lifting capacities assume a machine standing on level, firm and uniform supporting surface. Operator must make allowance for job conditions such as soft or uneven ground, out of level conditions, side loads, sudden stopping of loads, hazardous conditions, inexperienced personnel, etc.
- The above theoretical ratings are based on calculations derived from standard O.E.M. lift charts. They do not exceed 87% of hydraulic lifting capacity or 75% of tipping capacity. Rated loads marked with an asterisk (\*) are limited by hydraulic lifting capacity.