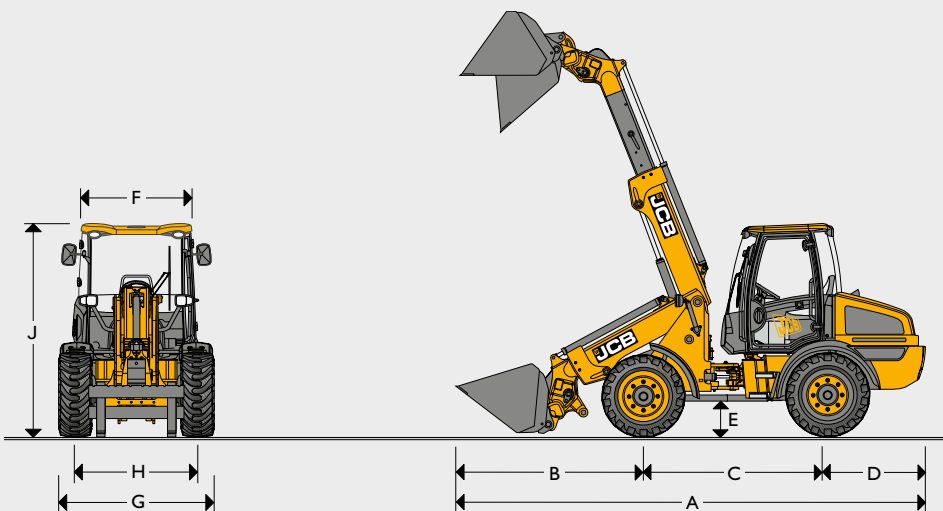


STATIC DIMENSIONS



A	Overall length	ft-in (mm)	19-8 (5998)
B	Axle to pivot pin	ft-in (mm)	4-2 (1269)
C	Wheelbase	ft-in (mm)	7-3 (2205)
D	Axle to counterweight face	ft-in (mm)	4-3 (1295)
E	Minimum ground clearance	ft-in (mm)	1-1 (330)
F	Width over cab	ft-in (mm)	4-10 (1468)
G	Width over tires	ft-in (mm)	6-3 (1902)
H	Wheel track	ft-in (mm)	4-11 (1490)
J	Height over cab	ft-in (mm)	8-8 (2634)
	Front axle weight	lb (kg)	5803 (2632)
	Rear axle weight	lb (kg)	8516 (3863)
	Total weight	lb (kg)	14319 (6495)
	Inside turn radius	ft-in (mm)	6-10 (2090)
	Maximum turn radius over shovel	ft-in (mm)	15-7 (4755)
	Maximum turn radius over tire	ft-in (mm)	13-3 (4030)
	Articulation angle	deg	±40°

Data based on machine equipped with pin mounted 0.9 m³ bucket with toe plates and Michelin XMCL 400/70R20 wheels and tires.

ENGINE

Type	4 stroke, Electronic Common Rail	
Model	JCB Diesel by Kohler KDI 2504 TCR	
Capacity	liter	2.482
Aspiration	Turbocharged	
Cylinders	4	
Max gross power to SAE J1995/ISO 14396	hp (kW)	74 (55) @ 2200rpm
Max torque	Nm @ 1500rpm	300
Emissions	Tier 4 FINAL	

TRANSMISSION

Type	Hydrostatic	
Model	Rexroth A6VM - 2 speed	
Model (40kph options)	Rexroth A6VM - 3 speed	
Low range	mph (kph)	3.75 (6)
High range	mph (kph)	12.5 (20)
High speed (optional)	mph (kph)	25 (40)

AXLES

Type	Straight beam	
Make and model	Dana 111	

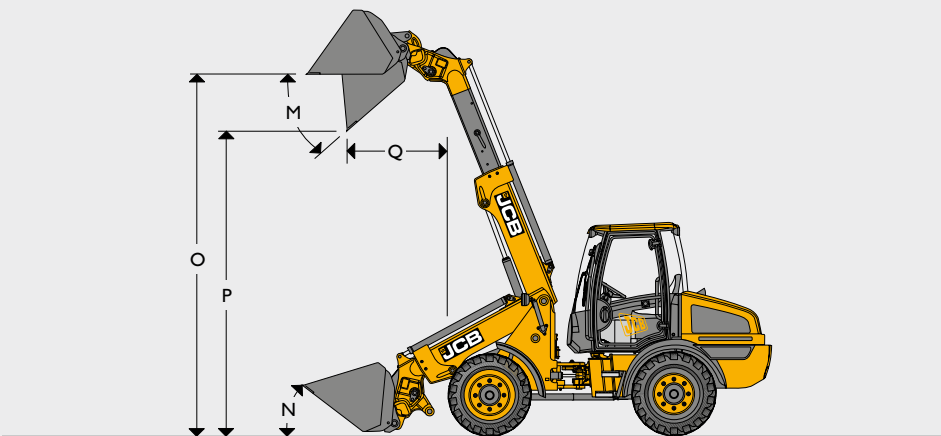
STEERING

Hydraulic power steering system emergency steering.

BRAKES

In board oil immersed brakes with combined handbrake; spring actuated hydraulic released park brake.

LOADER DIMENSIONS



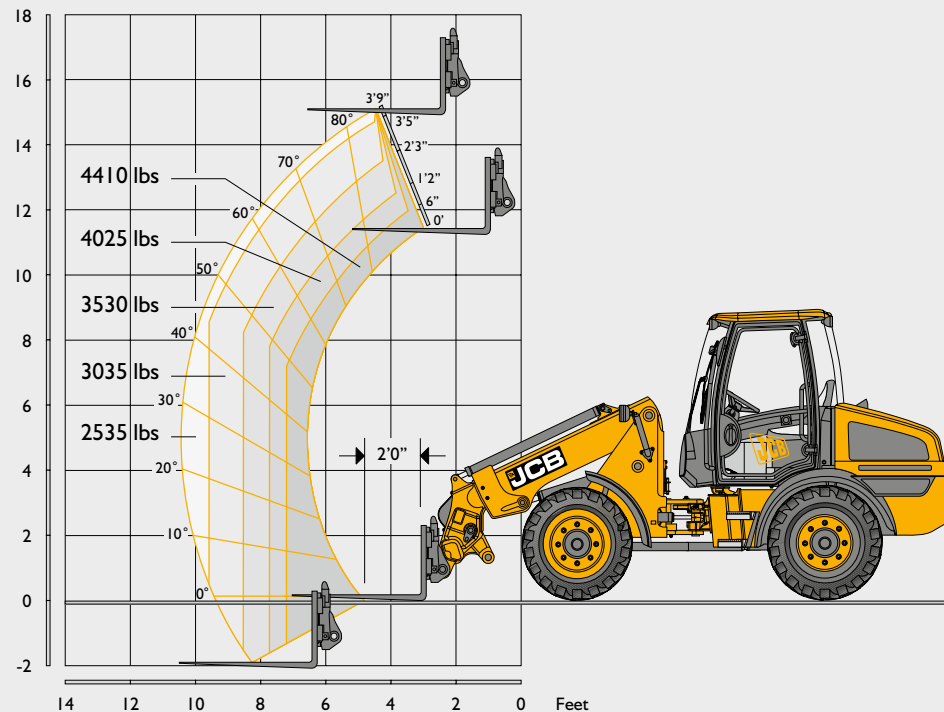
Bucket type		General purpose
Bucket equipment		Teeth or toeplate
Bucket capacity (SAE heaped)	yd ³ (m ³)	1.2 (0.9)
Bucket width	in (mm)	78 (1981)
Bucket weight	lb (kg)	816 (370)
Maximum material density *	lb/yd ³ (kg/m ³)	3426 (1554)
Payload *	lb (kg)	4849 (2200)
Maximum breakout force	lbf (kN)	10993 (48.9)
M Dump angle maximum	degrees	43
N Roll back at carry	degrees	43
Roll back at ground level	degrees	31
O Load over height - with bucket	ft-in (mm)	14-4 (4376)
P Dump height (45 deg dump)	ft-in (mm)	12-0 (3652)
Q Reach at dump height	ft-in (mm)	3-10 (1175)
Operating weight (includes full fuel tank)	lb (kg)	18730 (8496)

TIRE SIZE

Tire size	Manufacturer	Type	Op weight lb (kg)	Dimensions	
				Vertical in (mm)	Width in (mm)
16.0/70-20	Goodyear	SGL	-26 (-12)	0.2 (5)	0.2 (5)
380/75 R20	Michelin	XMCL	-0.5 (-12.8)	0 (0)	0.75 (19)
400/70 R20	Michelin	XMCL	0 (0)	0 (0)	0 (0)
405/70 R20	Michelin	XZSL	1 (25)	1 (25)	0.25 (6)

Loader dimensions quoted on 400/70R20 Wheels and Tires.

LOADER DIMENSIONS – FORK FRAME WITH FORKS



Fork carriage width	in (mm)	53 (1345)
Length of tines	in (mm)	42 (1069)
Reach at ground level	in (mm)	3-5 (1043)
Maximum forward reach	in (mm)	10-0 (3041)
Boom, horizontal height	in (mm)	4-11 (1497)
Max. lift height with forks	in (mm)	15-0 (4562)
Reach at maximum height	in (mm)	3-11 (1200)
Payload	lb (kg)	4410 (2000)
Full turn tipping load - forks with 24" (600mm) load center	lb (kg)	5436 (2465)
Full turn tipping load - forks calculated @ 80% load factor	lb (kg)	4348 (1972)
Full turn tipping load - forks calculated @ 60% load factor	lb (kg)	3261 (1479)
Attachment weight	lb (kg)	421 (191)
Straight tipping load - forks with 24" (600mm) load center	lb (kg)	6965 (3160)

CAB In-cab noise level: 76dB(A)

ELECTRICAL SYSTEM

System voltage	Volt	12
Alternator output	Amp hour	80
Battery capacity	Amp hour	100

HYDRAULICS

Pump type		Single Gear Pump
Pump max. flow	gpm (l/min)	23.5 (89)
Pump max. pressure	psi (bar)	3625 (250)
Hydraulic cycle times at full engine		
Boom raise	Seconds	4.3
Boom lower	Seconds	4.5
Extend	Seconds	3.6
Retract	Seconds	2.9
Bucket dump	Seconds	3.4
Bucket crowd	Seconds	2.8
Total cycle	Seconds	21.5

SERVICE FILL CAPACITIES

Hydraulic system	gal (liter)	18.5 (70)
Fuel tank	gal (liter)	21 (80)
Engine oil sump	gal (liter)	2.96 (11.2)
Axle oil (front)	gal (liter)	1.6 (4.4)
Axle oil (rear)	gal (liter)	1.60 (6.05)

STANDARD EQUIPMENT

GENERAL MACHINE FEATURES	Parallel lift geometry, JCB compact tool carrier Quickhitch, articulated steering, front and rear fenders, one piece opening hood, recovery hitch, lifting lugs, temperature controlled engine cooling fan, HBCV, End damping on extend/retract.
TRANSMISSION	Two speed, neutral start, inching function, forward/reverse switch on joystick control lever.
BRAKES	In board oil immersed brakes with combined handbrake; spring actuated hydraulic released parkbrake.
ELECTRIC	Full road lighting, direction indicators and battery isolator.
HYDRAULICS	Single lever servo control, gear pump with priority steer, emergency steer back up, flow sharing.
CAB	ROPS/FOPS safety structure, roof widow, fully opening RH window, fully adjustable seat, interior light, adjustable tilt steering column, safety glass, LCD display, front and rear screen wash/wipe, 3 speed heater fan with replacable filters, radio aperture, sun visors.

OPTIONAL EQUIPMENT

GENERAL MACHINE FEATURES	LSD axles, locking differential front axle with on the move operation, under hood battery isolator, worklights, air conditioning, adjustable constant flow, 3-stage SRS.
---------------------------------	--