



Stump Grinder

Stumpex Stump Attachment



SAFE • PRODUCTIVE • COST-EFFECTIVE



fecon.com
 3460 Grant Dr.
 Lebanon, OH 45036
 sales@fecon.com
 +1 513 696 4430
 800.528.3113

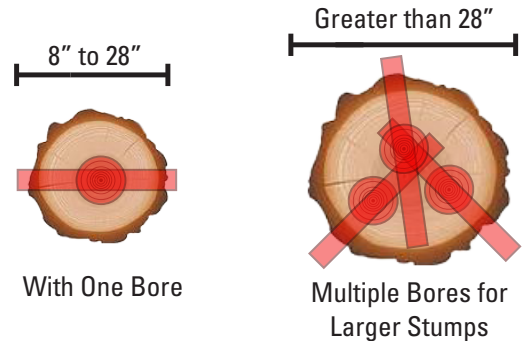
LESS IS MORE

- No Carbide Tools to Replace
- Low Maintenance (Greasing & Sharpening every 1,000 Stumps)
- Low RPM Auger Bit (7-16 RPM) Leads to Easy Clean-up and has no High Speed Flying Debris for Safer Work Zone
- Fraction of Work Time Compared to Conventional Stumpers
- Mount on Skid Steers with 20-42 GPM / 2,500 to 4,000 psi
- Mount on excavators with 30-55 GPM / 3500 to 5000 psi
- Mount on excavators with 12-20 ton rating

HOW IT WORKS

- Any Species of Wood
- Bores 20" into Ground while Cutting Feeder Roots
- Durable AR500 Steel Blades make the Stumper Tough, Even in Rocky Conditions
- Safer than Conventional Stumpers due to Slow Rotation Auger Bit Action

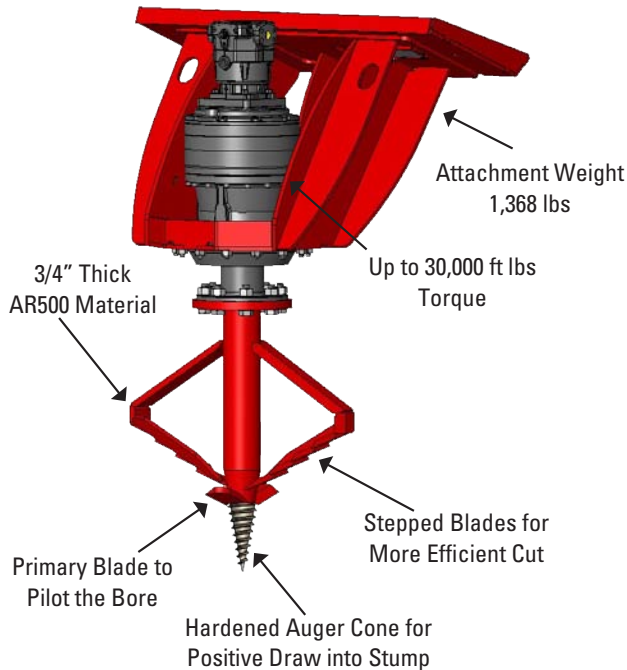
SAFE, POWERFUL & DURABLE



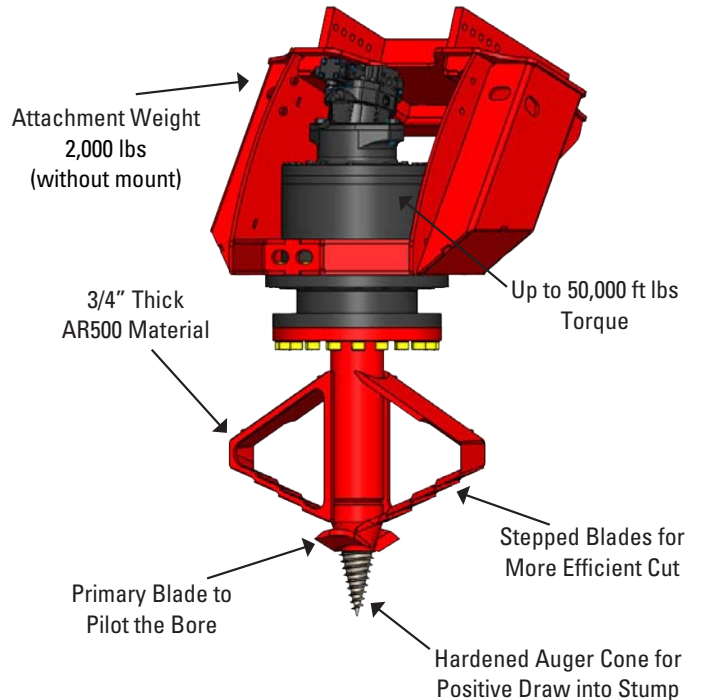
FASTER THAN TRADITIONAL STUMP GRINDERS

Flow GPM	Speed RPM	Depth into Stump Per Min 3/4" Bit
20	7.3	5.5"
24	8.8	6.6"
28	10.2	7.7"
32	11.7	8.8"
36	13.1	9.8"
40	14.7	11"
42	16.1	12.1"

SKID STEER STUMPEX



EXCAVATOR STUMPEX



- Operators cab must be protected with both properly maintained 1/2" LEXAN® Glass (or equal) and Falling Object Protection.
- Always insure that your carrier manufacturers safety features (including Falling Object Protection, and Roll-Over Protection meet your job safety requirements.
- Certain guarding and features may have been removed for illustrative purposes, always run with proper guarding.
- Weights are subject to vary based on options. • Safety Is The Responsibility Of The Operator.
- Specifications subject to change without notice. • Pictures may contain optional accessories.
- Photographs may have been altered for marketing purposes.



GS-30F-0019S

