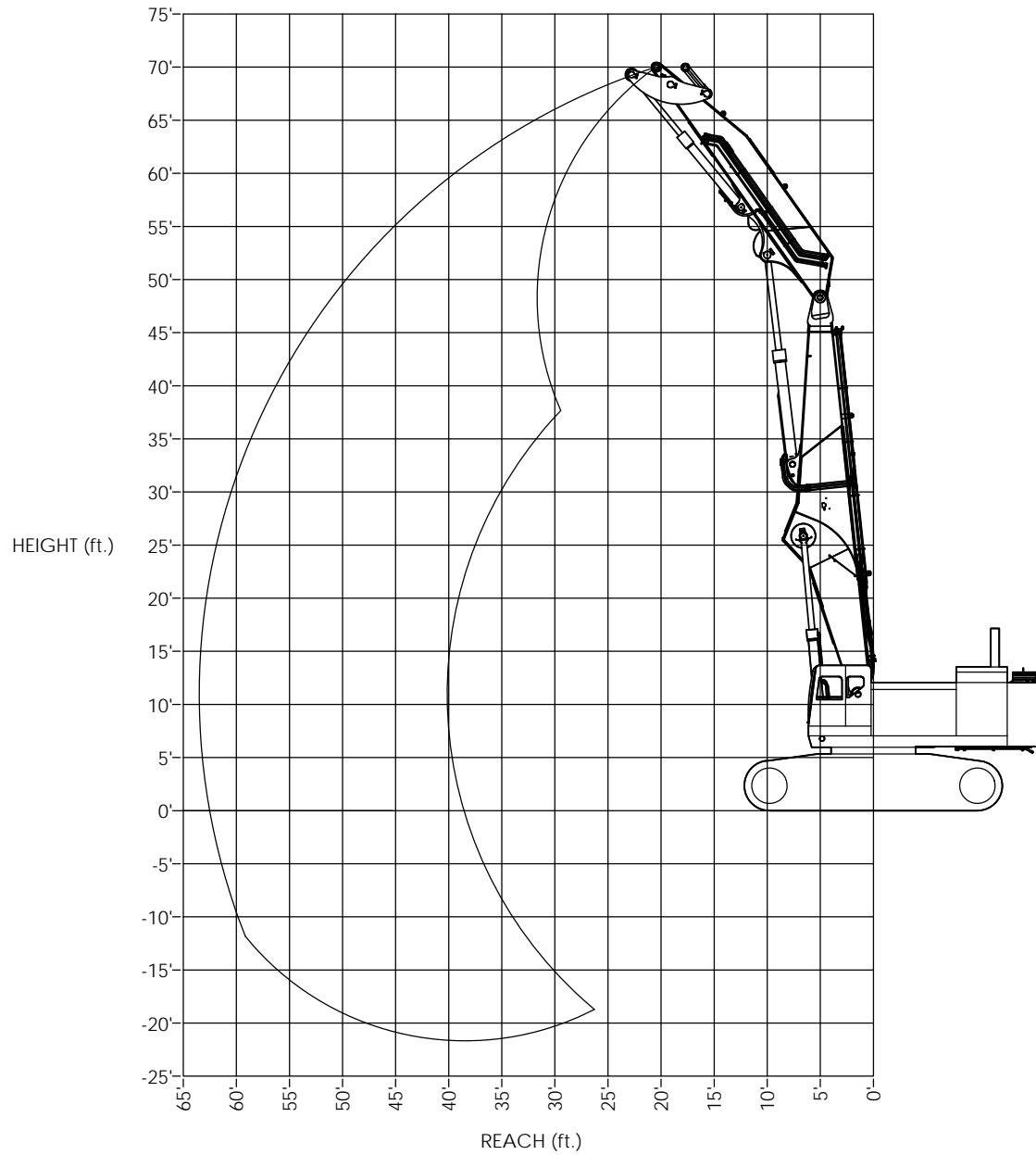


REVISIONS				
ZONE	REV.	DESCRIPTION	DATE	APPROVED



CONFIGURATION:

37'-6" STRAIGHTENED & STRETCHED PC1250-8 BOOM
26'-8" ARM WITH PC1250-8 TIP
KOMATSU OEM BOOM HOIST CYLINDERS
KOMATSU OEM ARM CYLINDER
KOMATSU OEM BUCKET CYLINDER & H-LINK FROM 18'-8" ARM
10,000# ADDITIONAL COUNTERWEIGHT

MATERIAL:		
QTY	SIZE	UNIT



4805 SCOOPY LANE NW
CARROLL, OHIO 43112
740-654-5304

The Cutting Edge of Customer Service

PROPRIETARY AND CONFIDENTIAL
 THE INFORMATION CONTAINED HEREIN
 IS THE SOLE PROPERTY OF
 COMPANY WRENCH. ANY
 REPRODUCTION OR
 DISSEMINATION OF THIS
 INFORMATION WITHOUT THE WRITTEN PERMISSION OF
 COMPANY WRENCH IS PROHIBITED.

UNLESS OTHERWISE SPECIFIED
 DIMENSIONS FOR FRAMES ARE
 AS FOLLOWS:
 DECIMAL: .00015"
 FRACTIONAL: 1/16"
 ANGLE: .1°
 WEIGHT: #

TITLE: **PC1250LC-8 - 63', 2-PIECE L.R. RANGE**
 SCALE: 1:65 SIZE: **D** DWG./PART NO.: **OM18141-1**
 SHEET 1 OF 1

Lifting Capacities
P/N: 0M18141-2



PC1250LC-8
2-Piece
63 Foot
Long Reach Excavator

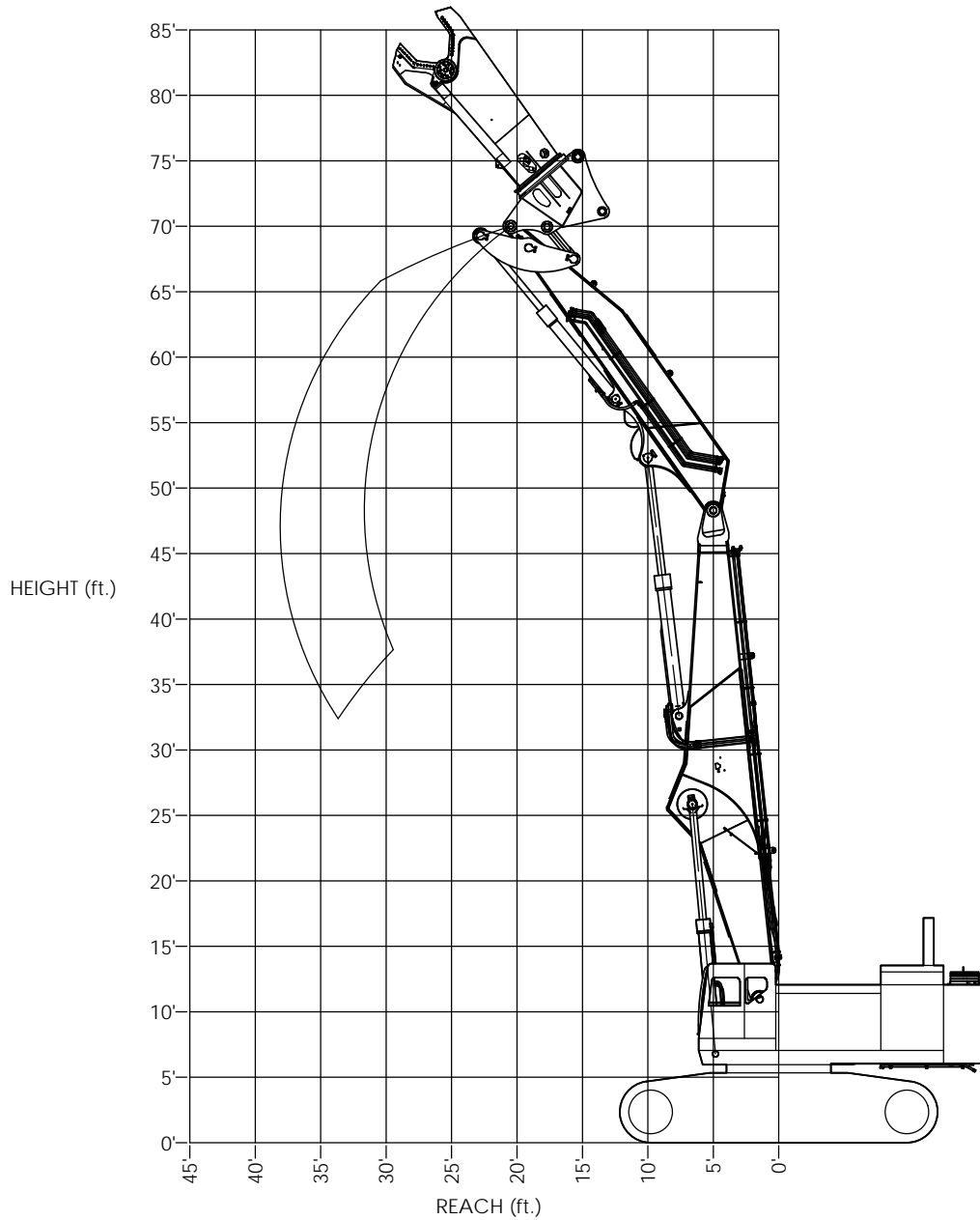
Lift capacities calculated at attachment pivot point on stick (lbs).
No attachment on stick. Attachment weight must be subtracted.
Heavy lift off.

REACH																						HEIGHT	
60'		55'		50'		45'		40'		35'		30'		25'		20'		15'		10'			
Side	Front	Side	Front	Side	Front	Side	Front	Side	Front	Side	Front	Side	Front	Side	Front	Side	Front	Side	Front	Side	Front		
																						75'	
																		* 76,553	* 76,553				70'
																							65'
																							60'
																							55'
																							50'
																							45'
																							40'
																							35'
																							30'
																							25'
																							20'
																							15'
																							10'
																							5'
																							0'
																							-5'
																							-10'
																							-15'
																							-20'
																							-25'
																							-30'
																							-35'

The following notes pertain to this machine equipped with 47.25" wide track pads and 10,000# additional counterweight:

1. Do not attempt to lift or hold any load that exceeds these rated values at their specified load radii and heights.
2. The least stable position is over the side.
3. The operator should be fully acquainted with machine operation before operating the machine.
4. Lifting capacities assume a machine standing on level, firm and uniform supporting surface. Operator must make allowance for job conditions such as soft or uneven ground, out of level conditions, side loads, sudden stopping of loads, hazardous conditions, inexperienced personnel, etc.
5. The above theoretical ratings are based on calculations derived from standard O.E.M. lift charts. They do not exceed 87% of hydraulic lifting capacity or 75% of tipping capacity. Rated loads marked with an asterisk (*) are limited by hydraulic lifting capacity.
6. Do not boom down with tool on the ground and front fully retracted, doing so may cause damage to machine.

REVISIONS				
ZONE	REV.	DESCRIPTION	DATE	APPROVED



CONFIGURATION:

- 37'-6" STRAIGHTENED & STRETCHED PC1250-8 BOOM
- 26'-8" ARM WITH PC1250-8 TIP
- KOMATSU OEM BOOM HOIST CYLINDERS
- KOMATSU OEM ARM CYLINDER
- KOMATSU OEM BUCKET CYLINDER & H-LINK FROM 18'-8" ARM
- 10° FORWARD BOOM RANGE FROM FULL UP
- 10,000# ADDITIONAL COUNTERWEIGHT
- 34,400# TOOL CAPACITY IN HIGH REACH RANGE

MATERIAL:		



4805 SCOOPY LANE NW
CARROLL, OHIO 43112
740-654-5304

The Cutting Edge of Customer Service

TITLE:		PC1250LC-8 - 70', 2-PIECE H.R. RANGE	
SCALE: 1:55	SIZE: D	DWG./PART NO. OM18141-3	
SHEET 1 OF 1			

PROFESSIONAL AND CONFIDENTIAL
THE INFORMATION CONTAINED HEREIN
IS THE SOLE PROPERTY OF
COMPANY WRENCH. ANY REPRODUCTION
WITHOUT THE WRITTEN PERMISSION OF
COMPANY WRENCH IS PROHIBITED.

UNLESS OTHERWISE SPECIFIED
DIMENSIONS TO DIMENSIONS ARE
AS FOLLOWS:
DECIMAL: .0001"
FRACTIONAL: 1/16"
ANGLE: .1°

WEIGHT: #

Lifting Capacities

P/N: 0M18141-4



PC1250LC-8
2-Piece
70 Foot
High Reach Excavator

WARNING: DO NOT OPERATE MACHINE OVER SIDE. OPERATE OVER FRONT ONLY WITH DRIVES TO THE REAR OF THE MACHINE.

Lift capacities calculated at attachment pivot point on stick (lbs).

No attachment on stick. Attachment weight must be subtracted.

Heavy lift off.

REACH										HEIGHT
55'	50'	45'	40'	35'	30'	25'	20'	15'	10'	
							* 76,553			75'
					* 51,443	* 60,962				70'
				* 42,817	* 49,428					65'
				* 41,858						60'
				* 41,430						55'
				* 41,441						50'
				* 41,846	* 48,536					45'
				* 42,581						40'
				* 43,554						35'
										30'
			* 38,034							25'
			* 38,442							20'
			* 38,510							15'
			* 38,031							10'
			* 36,808							5'
			* 34,662							0'

The following notes pertain to this machine equipped with 47.25" wide track pads and 10,000# additional counterweight:

1. Do not attempt to lift or hold any load that exceeds these rated values.
2. When working, the boom must be in the fully upright position. Maximum forward tilt of boom is 10 degrees.
3. Machine must never be operated over the side.
4. The operator should be fully acquainted with machine operation before operating the machine.
5. Lifting capacities assume a machine standing on level, firm and uniform supporting surface. Operator must make allowance for job conditions such as soft or uneven ground, out of level conditions, side loads, sudden stopping of loads, hazardous conditions, inexperienced personnel, etc.
6. The above theoretical ratings are based on calculations derived from standard O.E.M. lift charts based on SAE standard No. J1097. They do not exceed 87% of hydraulic lifting capacity or 75% of tipping capacity. Rated loads marked with an asterisk (*) are limited by hydraulic lifting capacity.
7. Raise front into working range with arm fully retracted and tool curled under.
8. Do not boom down with tool on the ground and front fully retracted, doing so may cause damage to machine.