

SPECIFICATIONS

RATED CAPACITY	HEAPED	2 1/2 CU. YD.
MAX PRESSURE – CYLINDERS		5,000 PSI
FLOW – CYLINDERS		30 G.P.M.
CLOSE TIME		4 SEC.
OPEN TIME		3 SEC.
MAX PRESSURE – ROTATION		1,500 PSI
FLOW – ROTATION AT 5 RPM		2 G.P.M.
CYLINDER BORE		5"
WEIGHT ±3%		5,825 LBS.
WEIGHT ±3% WITH BOE		6,100 LBS.

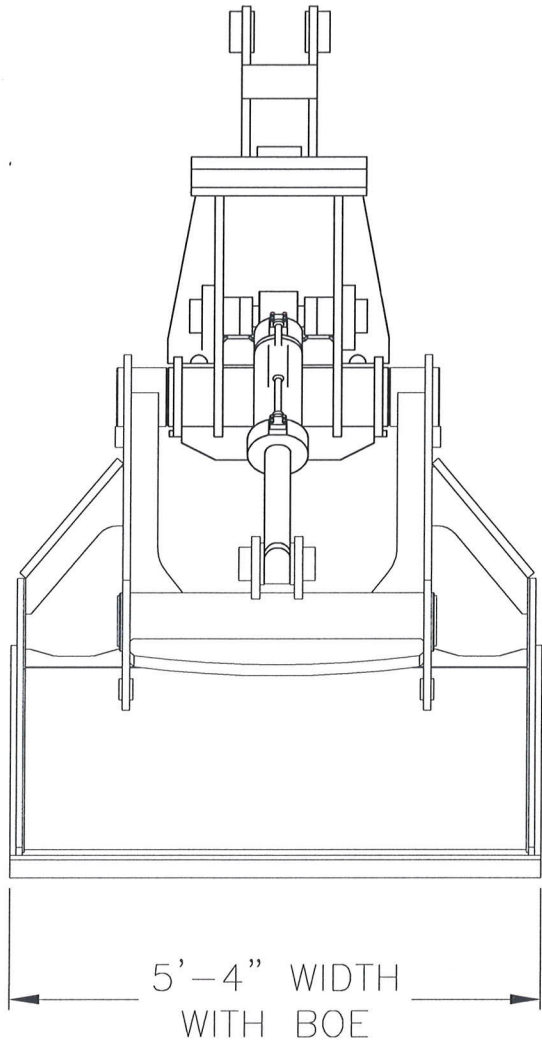
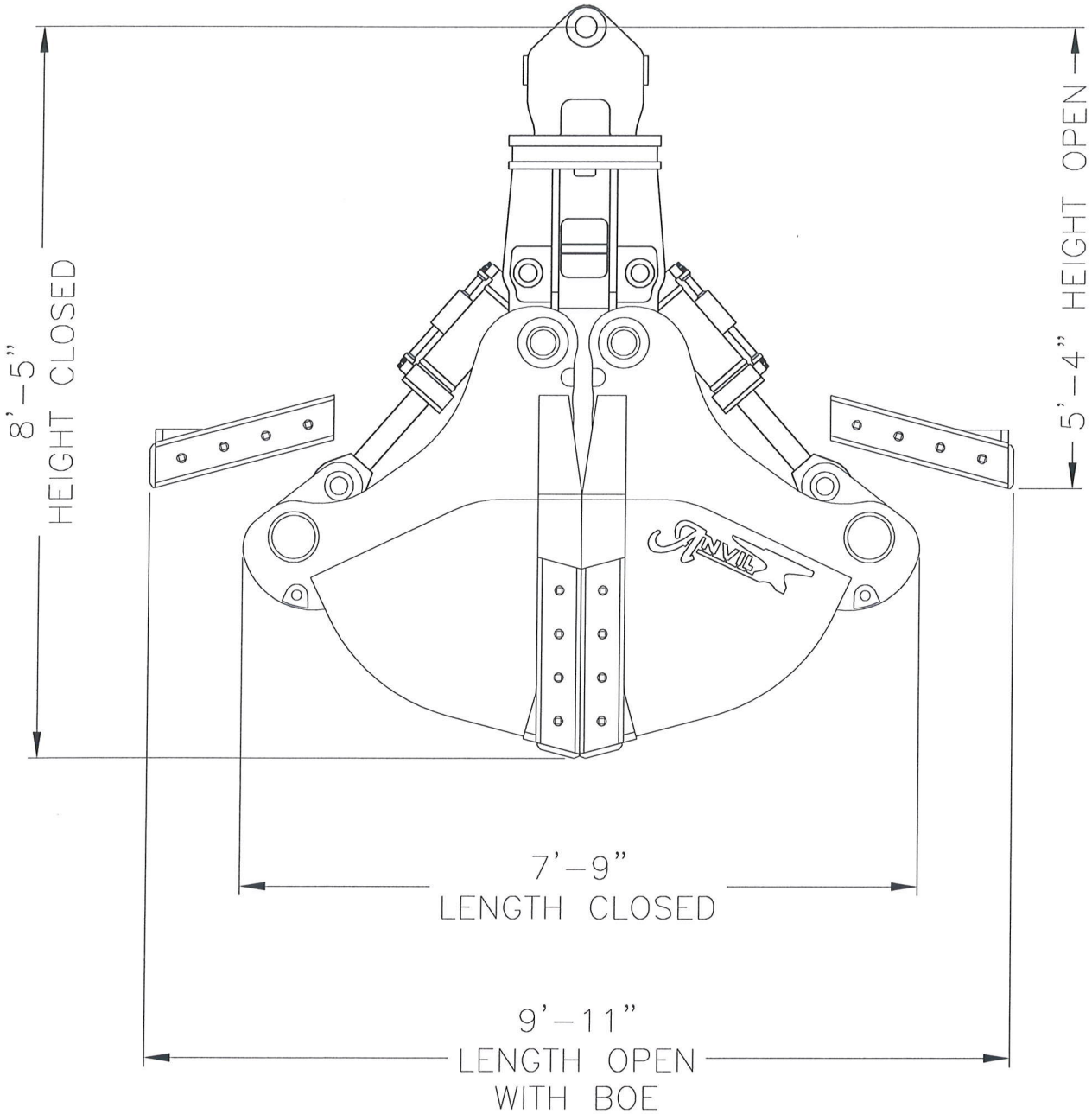
CRANE ADAPTER WEIGHT NOT INCLUDED

DRAWING APPROVAL

APPROVED _____ DATE _____

APPROVED AS NOTED _____ DATE _____

PRODUCTION WILL BEGIN WHEN SIGNED APPROVAL DRAWING HAS BEEN RECEIVED BY ANVIL ATTACHMENTS, LLC.



TOLERANCES UNLESS SPECIFIED	
FRACTIONAL	± 1/64
.00	± .01
.000	± .002
.0000	± .0005
ANGULAR	± 1/2°
FINISH	125
DWG. STD. – ASME Y14.5m-1994	
NO.	DATE
DESCRIPTION	
INIT.	MATERIAL

THIS DRAWING IS PROPERTY OF ANVIL ATTACHMENTS, LLC. LOANED TO THE RECIPIENT WHO AGREES THAT IT SHALL NOT BE GIVEN OUT, COPIED OR DUPLICATED FOR THE USE OF ANOTHER, BUT USED ONLY BY RECIPIENT FOR THE PURPOSE OF MAINTAINING THE EQUIPMENT TO WHICH IT REFERS.



2 1/2 CU. YD. HYD CLAM
~APPROVAL DRAWING~

BY: NES 5/9/18

CHK: MH 5/9/18

SCALE:	WEIGHT:			REV.	SHT. #
NTS		B	P18-131	0	1 OF 1

NO.	DATE	DESCRIPTION	INIT.
		REVISION	